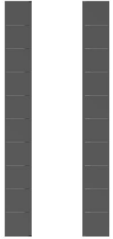
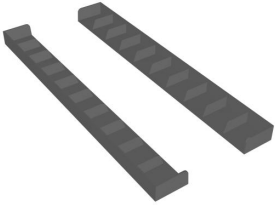
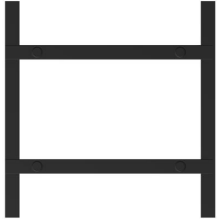



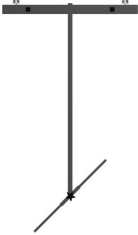

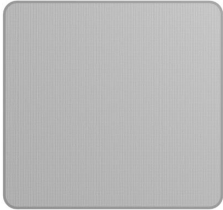





All TMI catalog sections are available online at: www.tmisystems.com/products/reference

TMI PRODUCT NO.	PERSPECTIVE	DESCRIPTION	W	H	D
A2570			11-3/8"	5/8"	12"
A2700			As Req'd		As Req'd
A2810			44" 58" 68"	40-3/4"	8"
A2811			44" 58" 68"	30-5/8" 42-5/8"	24"
A2860			30" 36" 48"	18" 24" 30" 36"	1"